



Project Distribution Ltd  
 Unit 1 Sun Street, Stoke on Trent ST1 4JW  
 Tel:01782 280289 Fax: 01782 215955  
 www.prodis.co.uk sales@project-distribution.co.uk

Project

Location

Item#

QTY

Model:  
C80

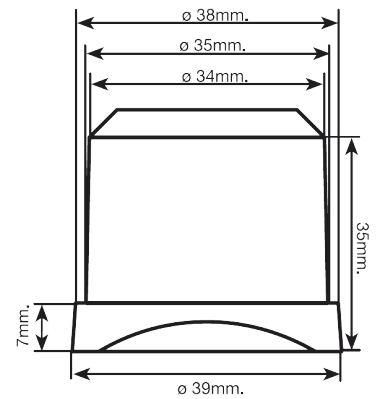
Icemaker - Gourmet Ice Production  
 72kg production, 40kg storage



### General Information

The Prodis C80, benefits from a 72kg production per 24 hours and a 40kg storage bin this icemaker produces gourmet shaped ice.

### M Cube 22gr C35, C45, C60, C80, C135



SPRAY SYSTEM



**Ice Intelligence.**

#### Key Features

#### Construction

#### Available Options

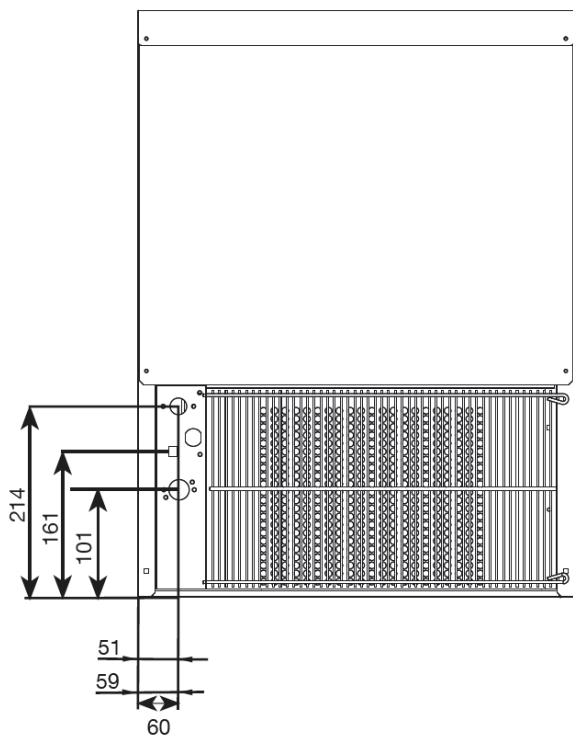
- Spray system ice formation
- Tropicalised compressor
- Front venting
- Low total power consumption
- Elastic spray jets prevent blocking
- Low maintenance seal free pump
- Air cooled condenser

- Painted steel exterior
- Plastic door

- Everpure 4H water filter

## Technical Data

Model	C80
Production / 24 hours	72kg
Storage bin	40kg
Ice shape	Gourmet
Defrost type	Hot gas
Condenser type	Air
Evaporator	Static / Cup
External Dimensions	Width = 645 Depth = 645 Height = 870
Interior Finish	Food safe plastic
Exterior Finish	Plastic coated steel
Power supply	230v 50hz
Power rating	720w
Refrigerant	R452a



Approvals	Available At	Document #
